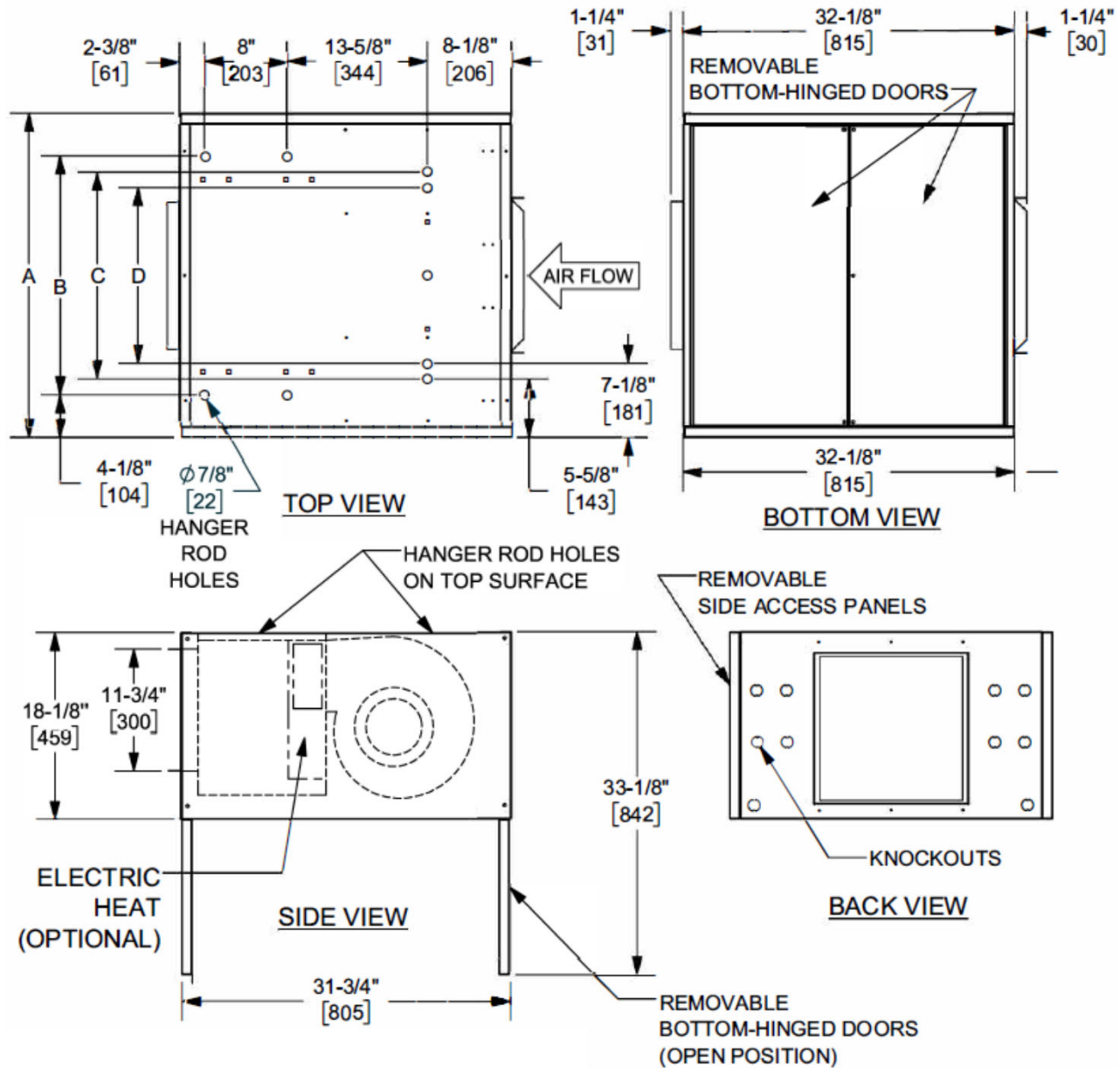


THHE Series A

Horizontal High Performance Exposed – Ducted Rear Return & Front Supply



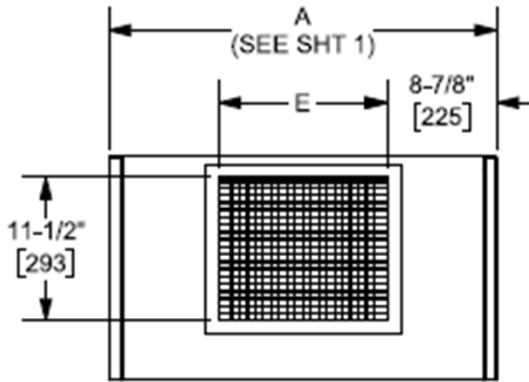
| Unit Size | A | | B | | C | | D | | A + 6.0" Extended Panel | |
|-----------|-------|------|----|------|----|------|----|------|-------------------------|------|
| | IN | MM | IN | MM | IN | MM | IN | MM | IN | MM |
| 6 | 31.25 | 794 | 23 | 584 | 20 | 508 | 17 | 432 | 37.25 | 946 |
| 8 | 36.25 | 921 | 28 | 711 | 25 | 635 | 22 | 559 | 42.25 | 1073 |
| 10 | 40.25 | 1022 | 32 | 813 | 29 | 737 | 26 | 660 | 46.25 | 1174 |
| 12 | 45.25 | 1149 | 37 | 940 | 34 | 864 | 31 | 787 | 51.25 | 1302 |
| 14 | 50.25 | 1276 | 42 | 1067 | 39 | 991 | 36 | 914 | 56.25 | 1428 |
| 16 | 55.25 | 1403 | 47 | 1194 | 44 | 1118 | 41 | 1041 | 61.25 | 1556 |
| 18 | 60.25 | 1530 | 52 | 1321 | 49 | 1245 | 46 | 1168 | 66.25 | 1683 |
| 20 | 64.25 | 1632 | 56 | 1422 | 53 | 1346 | 50 | 1270 | 70.25 | 1784 |

NOTES:

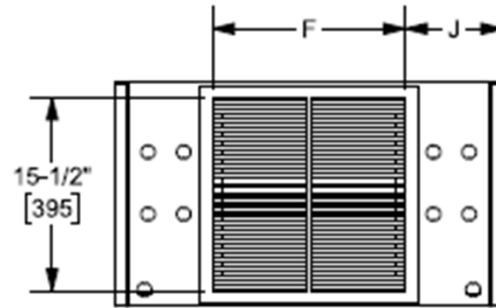
1. All dimensions in Inches [millimeters]. All dimensions $\pm 1/4"$ [6mm]. Metric values are soft conversion.
2. Right hand Ducted unit shown, Left hand unit opposite.
3. Standard control enclosure is mounted inside unit opposite cooling coil connections and includes (4) knockouts on (2) sides. Provide sufficient clearance to access electrical controls and comply with applicable codes and ordinances.

THHE Series A

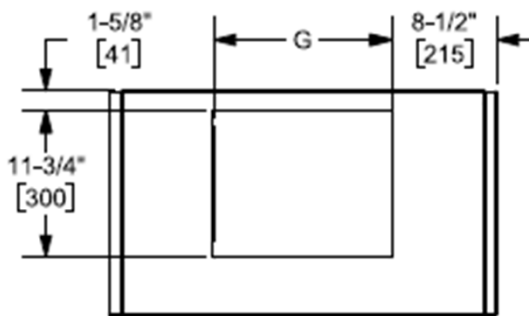
Horizontal High Performance Exposed – Ducted & Grilled Rear Return & Front Supply



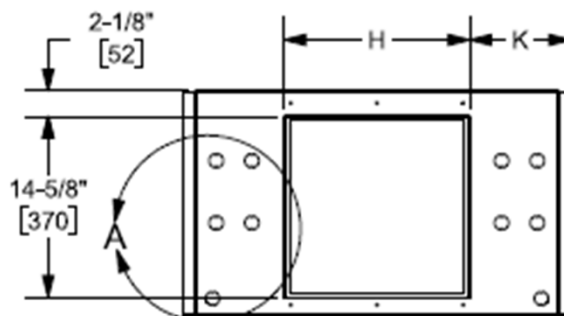
**FRONT PANEL
GRILLED SUPPLY**



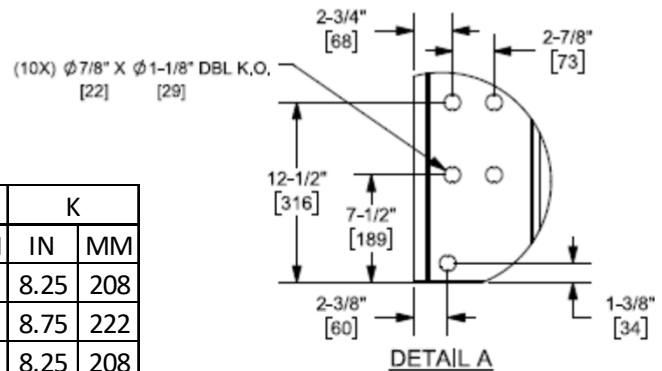
**BACK PANEL
GRILLED RETURN**



**FRONT PANEL
DUCTED SUPPLY**



**BACK PANEL
DUCTED RETURN**



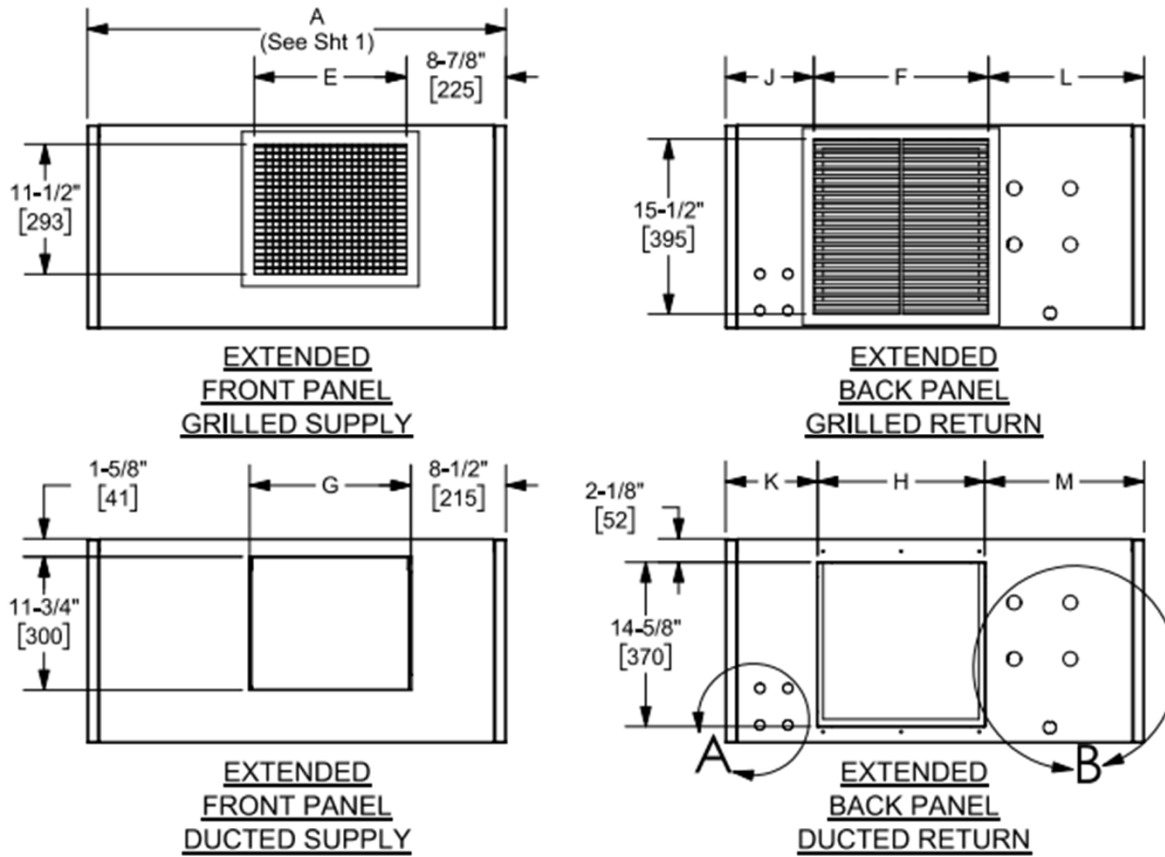
| Unit Size | E | | F | | G | | H | | J | | K | |
|-----------|-------|------|-------|------|-------|------|----|------|------|-----|------|-----|
| | IN | MM | IN | MM | IN | MM | IN | MM | IN | MM | IN | MM |
| 6 | 13.50 | 344 | 15.50 | 394 | 14.38 | 365 | 15 | 381 | 7.88 | 200 | 8.25 | 208 |
| 8 | 17.50 | 445 | 19.50 | 495 | 19.38 | 492 | 19 | 483 | 8.38 | 213 | 8.75 | 222 |
| 10 | 22.50 | 572 | 24.50 | 622 | 23.38 | 594 | 24 | 610 | 7.88 | 200 | 8.25 | 208 |
| 12 | 29.50 | 749 | 31.50 | 800 | 28.38 | 721 | 31 | 787 | 6.88 | 175 | 7.25 | 184 |
| 14 | 33.50 | 851 | 35.50 | 902 | 33.38 | 848 | 35 | 889 | 7.38 | 187 | 7.75 | 197 |
| 16 | 37.50 | 953 | 39.50 | 1003 | 38.38 | 975 | 39 | 991 | 7.88 | 200 | 8.25 | 208 |
| 18 | 42.50 | 1080 | 44.50 | 1130 | 43.38 | 1102 | 44 | 1118 | 7.88 | 200 | 8.25 | 208 |
| 20 | 47.50 | 1207 | 44.50 | 1130 | 47.38 | 1203 | 49 | 1245 | 9.88 | 251 | 7.75 | 197 |

NOTES:

1. All dimensions in Inches [millimeters]. All dimensions $\pm 1/4"$ [6mm]. Metric values are soft conversion.
2. Right hand unit shown, Left hand unit opposite.
3. Standard control enclosure is mounted inside unit opposite cooling coil connections and includes (4) knockouts on (2) sides. Provide sufficient clearance to access electrical controls and comply with applicable codes and ordinances.

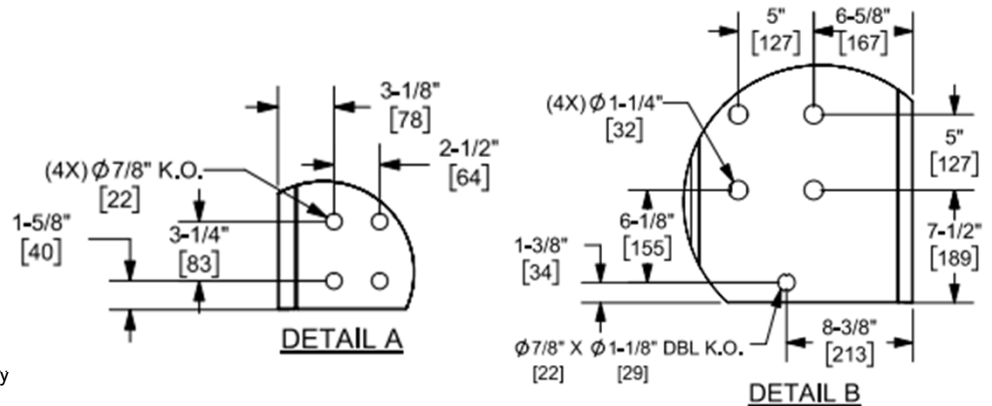
THHE Series A

Horizontal High Performance Exposed – Extended Panel, Ducted & Grilled Front Supply & Rear Return



NOTES:

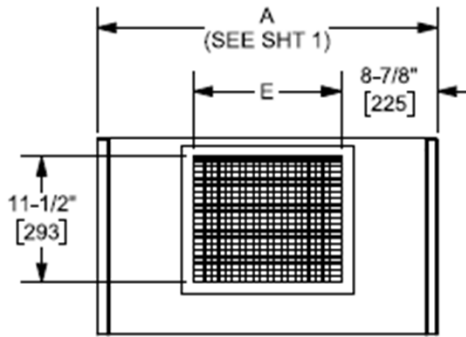
1. All dimensions in Inches [millimeters]. All dimensions $\pm 1/4"$ [6mm]. Metric values are soft conversion.
2. Right hand unit shown, Left hand unit opposite.
3. Standard control enclosure is mounted inside unit opposite cooling coil connections and includes (4) knockouts on (2) sides. Provide sufficient clearance to access electric controls and comply with applicable codes and ordinances.
4. Extended cabinet is only offered when 3-way valve package is selected.



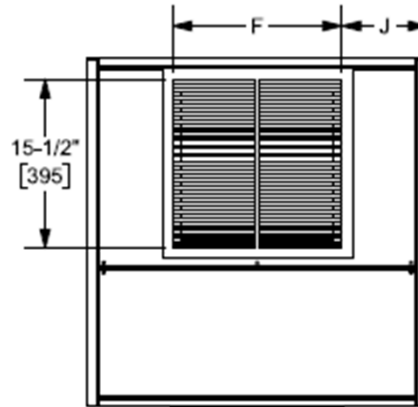
| Unit Size | E | | F | | G | | H | | J | | K | | L | | M | |
|-----------|-------|------|-------|------|-------|------|----|------|------|-----|------|-----|-------|-----|-------|-----|
| | IN | MM | IN | MM | IN | MM | IN | MM | IN | MM | IN | MM | IN | MM | IN | MM |
| 6 | 13.50 | 344 | 15.50 | 394 | 14.38 | 365 | 15 | 381 | 7.88 | 200 | 8.25 | 208 | 13.88 | 352 | 14.25 | 362 |
| 8 | 17.50 | 445 | 19.50 | 495 | 19.38 | 492 | 19 | 483 | 8.38 | 213 | 8.75 | 222 | 14.38 | 365 | 14.75 | 375 |
| 10 | 22.50 | 572 | 24.50 | 622 | 23.38 | 594 | 24 | 610 | 7.88 | 200 | 8.25 | 208 | 13.88 | 352 | 14.25 | 362 |
| 12 | 29.50 | 749 | 31.50 | 800 | 28.38 | 721 | 31 | 787 | 6.88 | 175 | 7.25 | 184 | 12.88 | 327 | 13.25 | 337 |
| 14 | 33.50 | 851 | 35.50 | 902 | 33.38 | 848 | 35 | 889 | 7.38 | 187 | 7.75 | 197 | 13.38 | 340 | 13.75 | 349 |
| 16 | 37.50 | 953 | 39.50 | 1003 | 38.38 | 975 | 39 | 991 | 7.88 | 200 | 8.25 | 208 | 13.88 | 352 | 14.25 | 362 |
| 18 | 42.50 | 1080 | 44.50 | 1130 | 43.38 | 1102 | 44 | 1118 | 7.88 | 200 | 8.25 | 208 | 13.88 | 352 | 14.25 | 362 |
| 20 | 47.50 | 1207 | 44.50 | 1130 | 47.38 | 1203 | 49 | 1245 | 9.88 | 251 | 7.75 | 197 | 15.88 | 340 | 13.75 | 349 |

THHE Series A

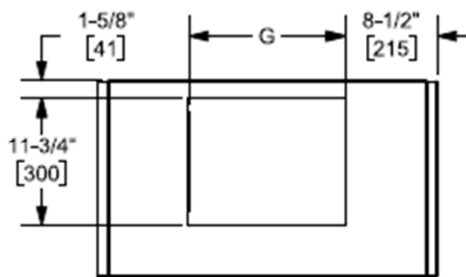
Horizontal High Performance Exposed – Ducted & Grilled Front Supply & Bottom Return



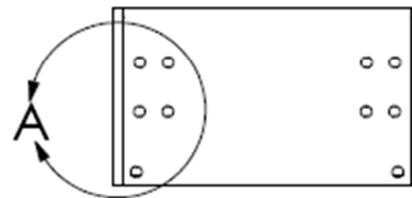
**FRONT PANEL
GRILLED SUPPLY**



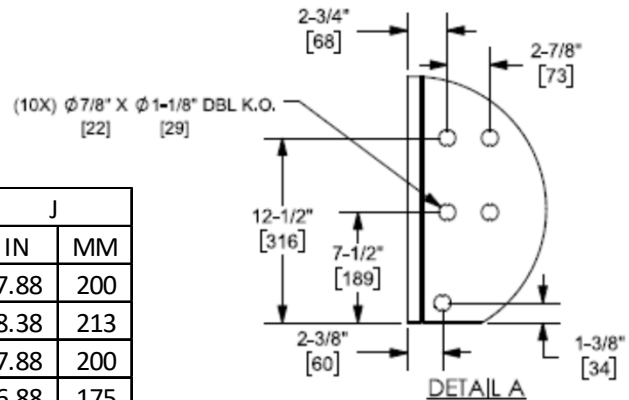
**BOTTOM PANEL
GRILLED RETURN**



**FRONT PANEL
DUCTED SUPPLY**



BACK PANEL



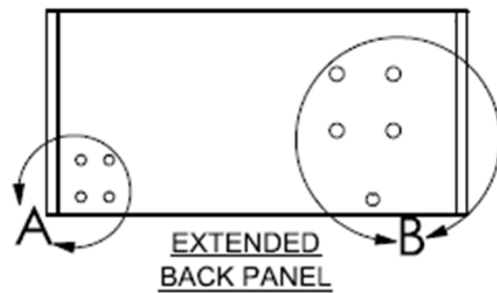
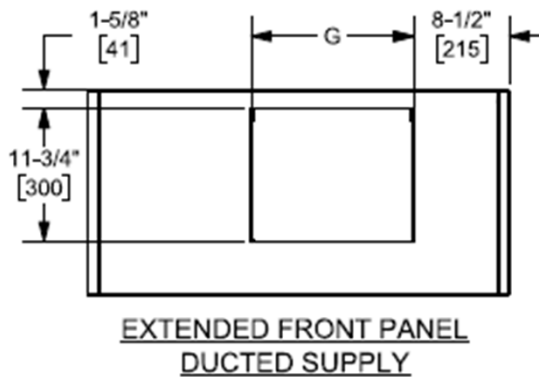
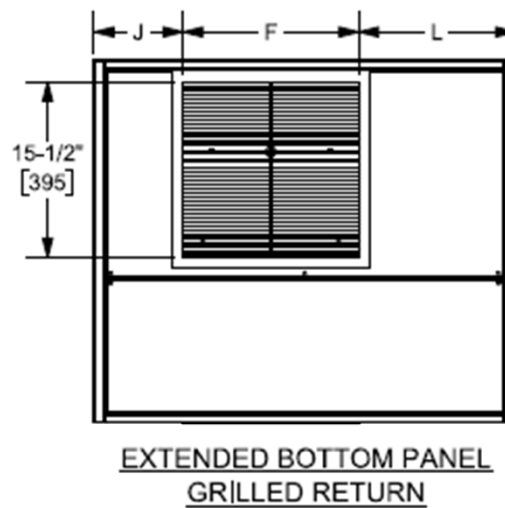
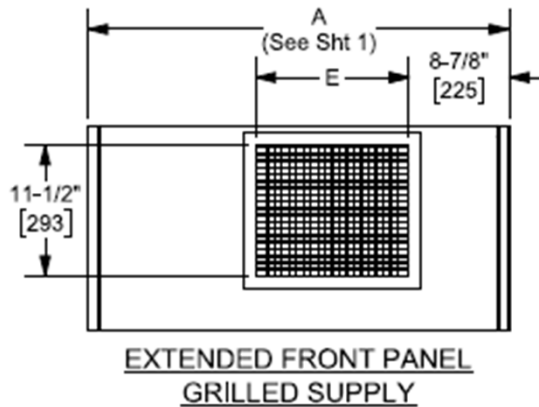
| Unit Size | E | | F | | G | | J | |
|-----------|-------|------|-------|------|-------|------|------|-----|
| | IN | MM | IN | MM | IN | MM | IN | MM |
| 6 | 13.50 | 344 | 15.50 | 394 | 14.38 | 365 | 7.88 | 200 |
| 8 | 17.50 | 445 | 19.50 | 495 | 19.38 | 492 | 8.38 | 213 |
| 10 | 22.50 | 572 | 24.50 | 622 | 23.38 | 594 | 7.88 | 200 |
| 12 | 29.50 | 749 | 31.50 | 800 | 28.38 | 721 | 6.88 | 175 |
| 14 | 33.50 | 851 | 35.50 | 902 | 33.38 | 848 | 7.38 | 187 |
| 16 | 37.50 | 953 | 39.50 | 1003 | 38.38 | 975 | 7.88 | 200 |
| 18 | 42.50 | 1080 | 44.50 | 1130 | 43.38 | 1102 | 7.88 | 200 |
| 20 | 47.50 | 1207 | 44.50 | 1130 | 47.38 | 1203 | 9.88 | 187 |

NOTES:

1. All dimensions in Inches [millimeters]. All dimensions $\pm 1/4"$ [6mm]. Metric values are soft conversion.
2. Right hand unit shown, Left hand unit opposite.
3. Standard control enclosure is mounted inside unit opposite cooling coil connections and includes (4) knockouts on (2) sides. Provide sufficient clearance to access electrical controls and comply with applicable codes and ordinances.

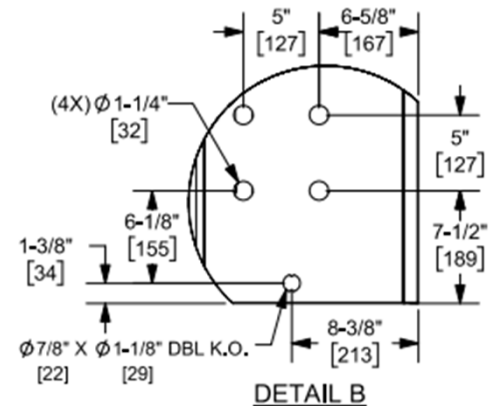
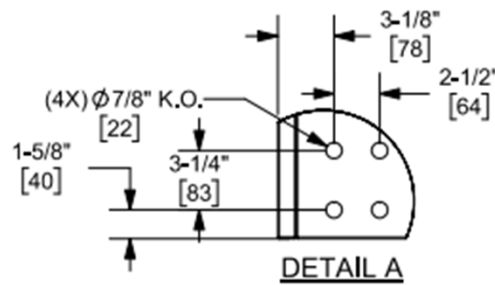
THHE Series A

Horizontal High Performance Exposed – Extended Panel, Ducted & Grilled Front Supply & Bottom Return



NOTES:

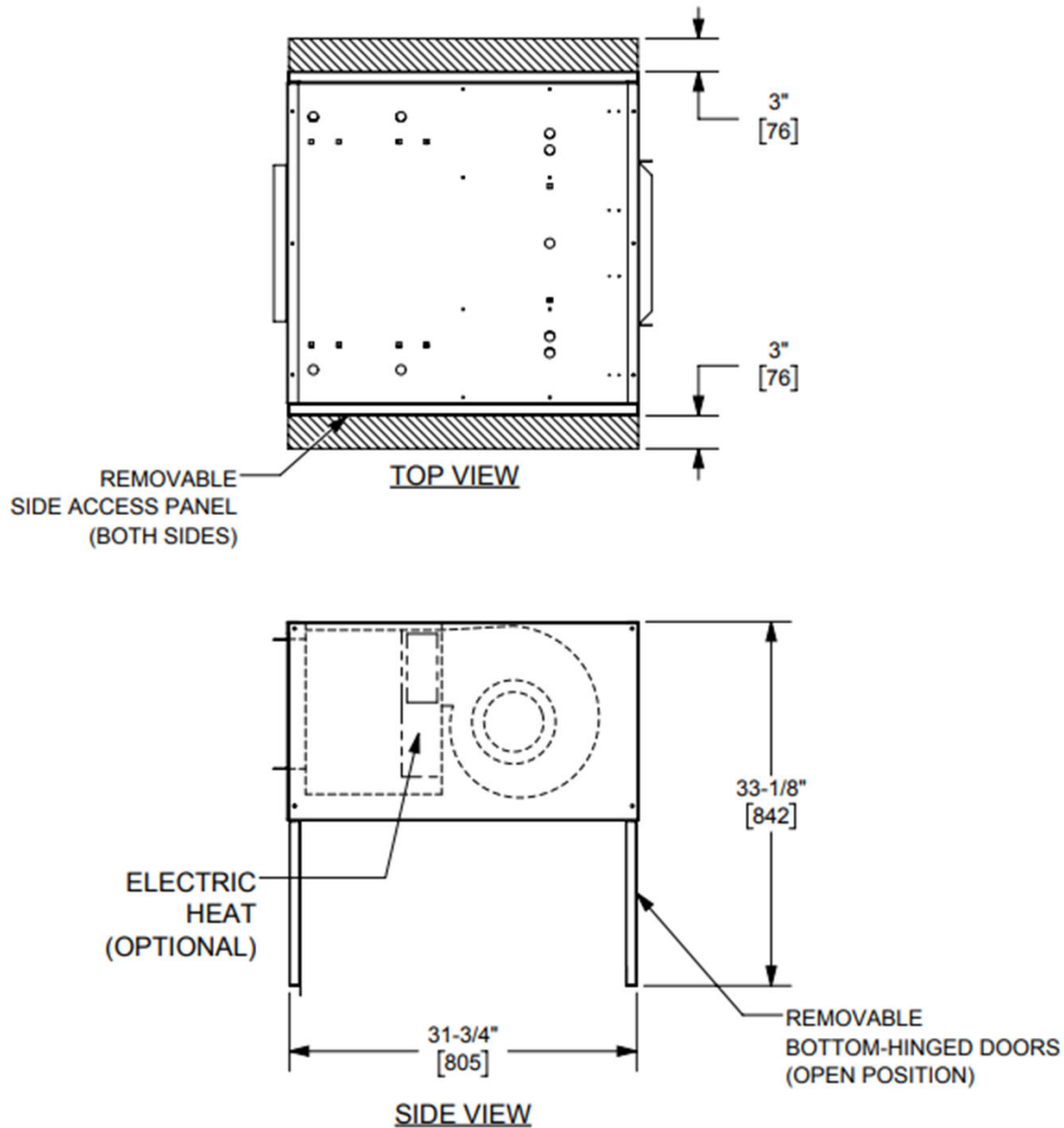
1. All dimensions in Inches [millimeters]. All dimensions $\pm 1/4$ " [6mm]. Metric values are soft conversion.
2. Right hand unit shown, Left hand unit opposite.
3. Standard control enclosure is mounted inside unit opposite cooling coil connections and includes (4) knockouts on (2) sides. Provide sufficient clearance to access electric controls and comply with applicable codes and ordinances.
4. Extended cabinet is only offered when 3-way valve package is selected.



| Unit Size | E | | F | | G | | H | | J | | K | | L | | M | |
|-----------|-------|------|-------|------|-------|------|----|------|------|-----|------|-----|-------|-----|-------|-----|
| | IN | MM | IN | MM | IN | MM | IN | MM | IN | MM | IN | MM | IN | MM | IN | MM |
| 6 | 13.50 | 344 | 15.50 | 394 | 14.38 | 365 | 15 | 381 | 7.88 | 200 | 8.25 | 208 | 13.88 | 352 | 14.25 | 362 |
| 8 | 17.50 | 445 | 19.50 | 495 | 19.38 | 492 | 19 | 483 | 8.38 | 213 | 8.75 | 222 | 14.38 | 365 | 14.75 | 375 |
| 10 | 22.50 | 572 | 24.50 | 622 | 23.38 | 594 | 24 | 610 | 7.88 | 200 | 8.25 | 208 | 13.88 | 352 | 14.25 | 362 |
| 12 | 29.50 | 749 | 31.50 | 800 | 28.38 | 721 | 31 | 787 | 6.88 | 175 | 7.25 | 184 | 12.88 | 327 | 13.25 | 337 |
| 14 | 33.50 | 851 | 35.50 | 902 | 33.38 | 848 | 35 | 889 | 7.38 | 187 | 7.75 | 197 | 13.38 | 340 | 13.75 | 349 |
| 16 | 37.50 | 953 | 39.50 | 1003 | 38.38 | 975 | 39 | 991 | 7.88 | 200 | 8.25 | 208 | 13.88 | 352 | 14.25 | 362 |
| 18 | 42.50 | 1080 | 44.50 | 1130 | 43.38 | 1102 | 44 | 1118 | 7.88 | 200 | 8.25 | 208 | 13.88 | 352 | 14.25 | 362 |
| 20 | 47.50 | 1207 | 44.50 | 1130 | 47.38 | 1203 | 49 | 1245 | 9.88 | 251 | 7.75 | 197 | 15.88 | 340 | 13.75 | 349 |

THHE Series A

Horizontal High Performance Exposed – External Space Requirements

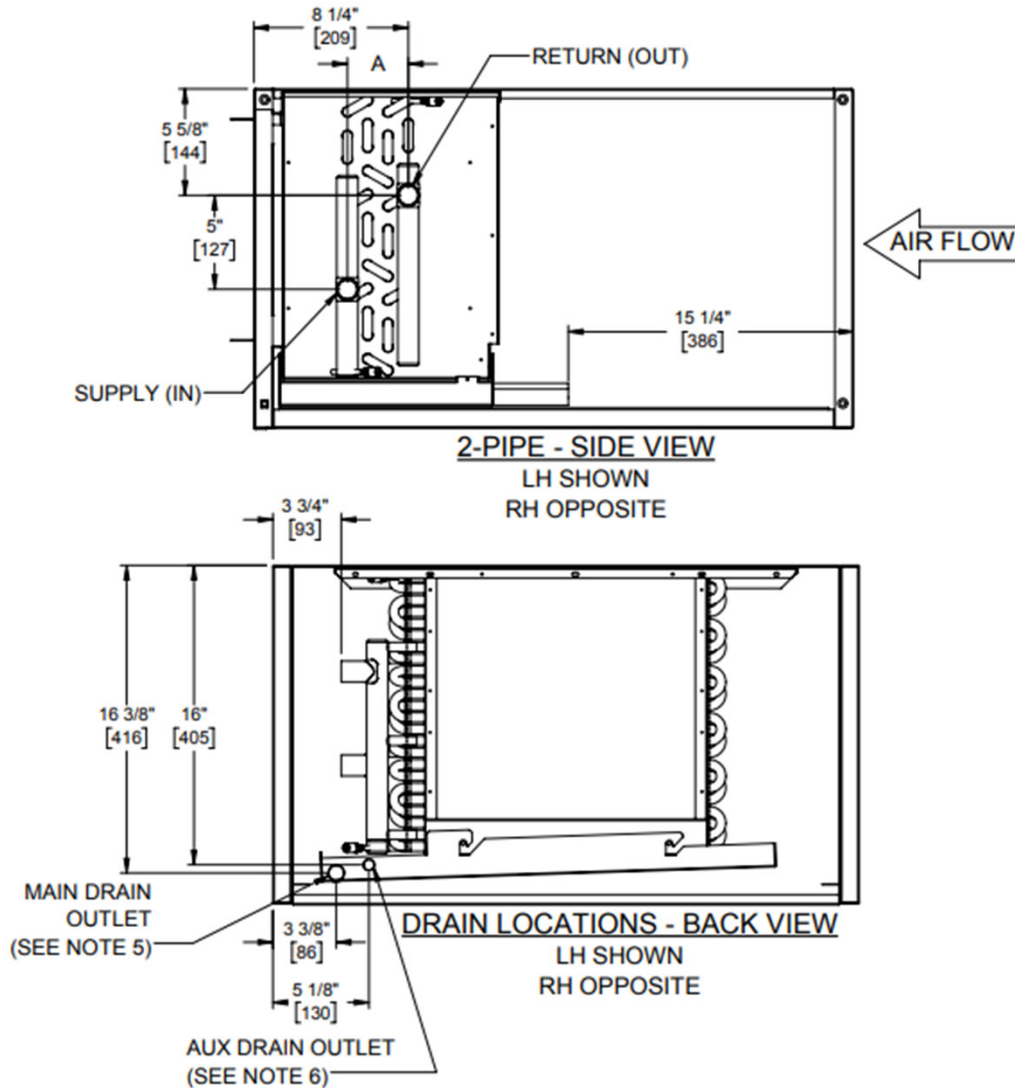


NOTES:

1. All chilled water piping that projects beyond the condensate pan or the optional auxiliary drip pan must be field insulated by others.
2. Optional Auxiliary Drip Pan (not shown) is mounted on the outlet side of the drain pan.
3. Drain Pan is installed with the outlet tube(s) on cooling coil connection end of coil on 4-pipe units with optional opposite end connection.
4. Dimensions shown on this drawing apply to standard CW and HW valve packages. Refer to the Piping Package Catalog for valve package code details. Contact factory for details on valve packages using non-standard or customer furnished components.
5. Provide sufficient clearance to access electrical components and comply with all applicable codes and ordinances.

THHE Series A

Horizontal High Performance Exposed – Field Connections – 2 Pipe HW & 2 Pipe CW



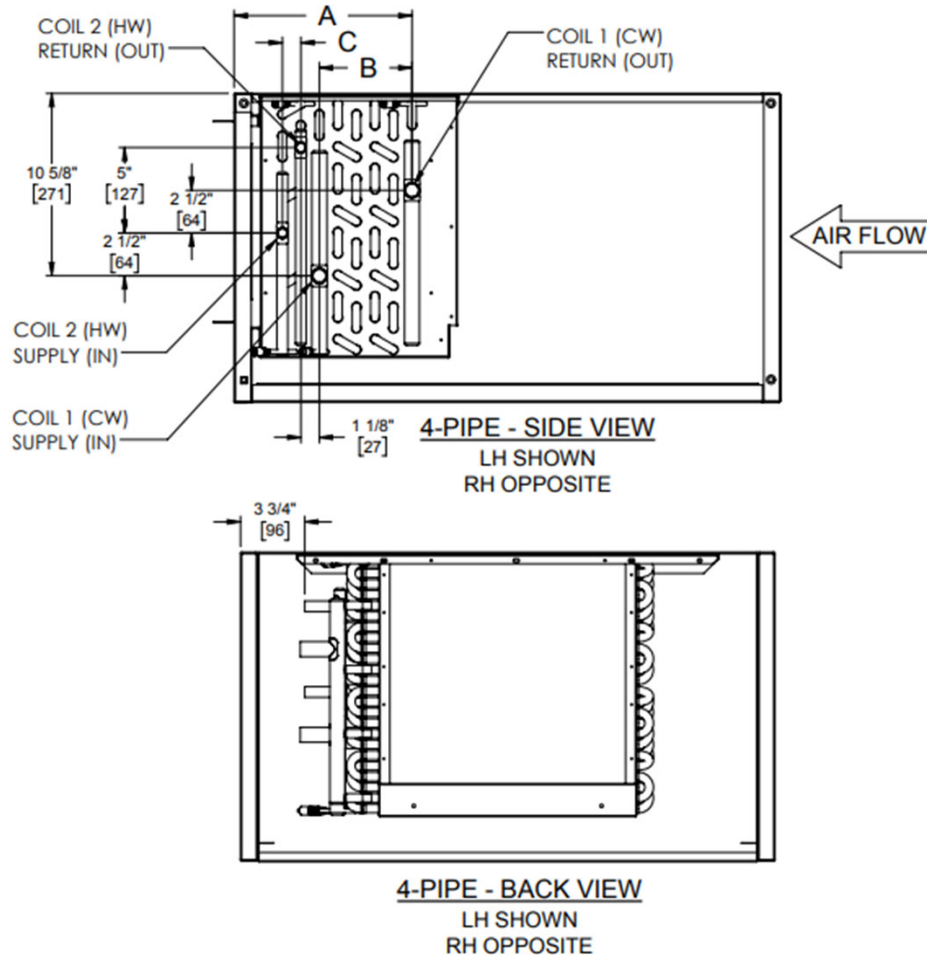
| Unit Type | Coil Rows | A (1/2" Dia Tubing) | | A (3/8" Dia Tubing) | |
|----------------|-----------|---------------------|-----|---------------------|----|
| | | IN | MM | IN | MM |
| 2 Pipe Heating | 1 | 1.13 | 29 | 0.88 | 22 |
| | 2 | 1.13 | 29 | 0.88 | 22 |
| | 3 | 2.13 | 54 | 1.75 | 44 |
| | 4 | 3.25 | 83 | 2.63 | 67 |
| 2 Pipe Cooling | 3 | 2.13 | 54 | 1.75 | 44 |
| | 4 | 3.25 | 83 | 2.63 | 67 |
| | 6 | 5.38 | 137 | 4.38 | 86 |

NOTES:

- All dimensions are inches [millimeters] All dimensions 1/2 [13mm]. Metric values are soft conversion.
- All drawings subject to change without notice.
- Model "THHEA" unit shown. Side panel hidden for clarity.
- Connection Size: See Page 12 Coil Connections.
- Standard externally foam coated galvanize steel drain pan has 7/8" ODM copper outlet. Stainless steel drain pan has 3/4" MPT galvanized steel outlet.
- Aux. drain outlet is 5/8" ODM copper or 3/8" MPT galvanized steel respectively.
- Single Row/Single Circuit headers are vertical (Horizontal Distance is 0")

THHE Series A

Horizontal High Performance Exposed – Field Connections – 4 Pipe 1/2" Dia. Tubing Re-Heat



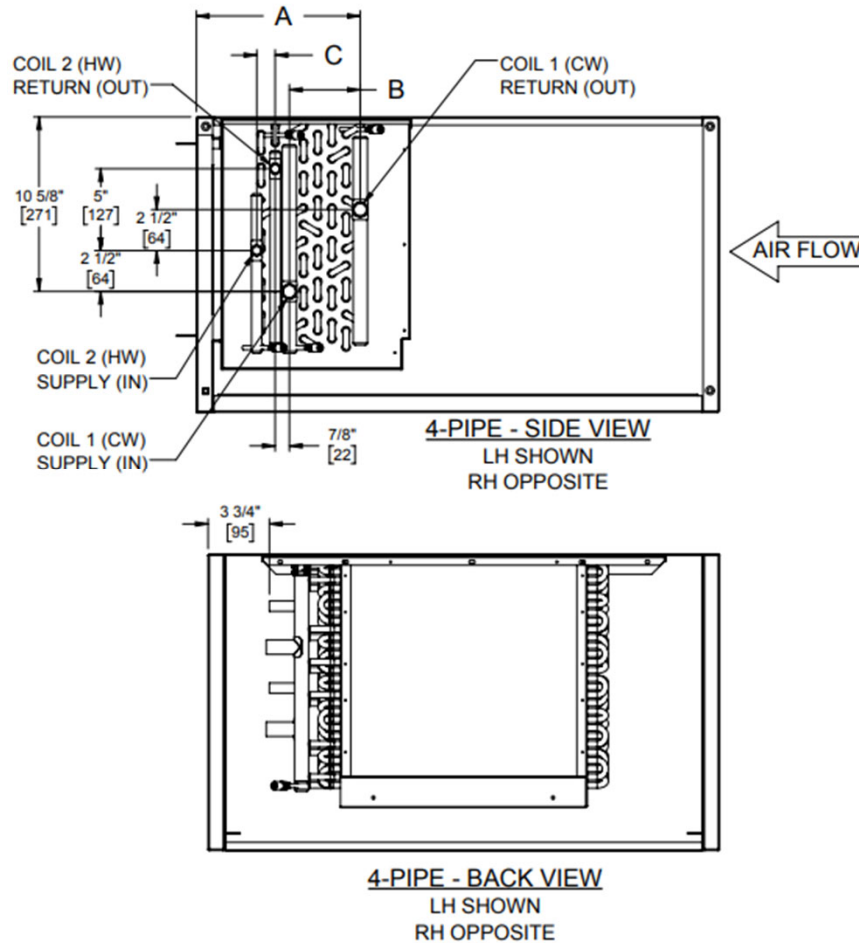
| Unit Type | Coil 1 CW Rows | Coil 2 HW Rows | (1/2" Dia Tubing) | | | | | |
|---------------|----------------|----------------|-------------------|-----|------|-----|------|----|
| | | | A | | B | | C | |
| | | | IN | MM | IN | MM | IN | MM |
| 4 Pipe ReHeat | 3 | 1 | 8.25 | 210 | 1.63 | 41 | 1.25 | 32 |
| | 3 | 2 | 8.25 | 210 | 1.88 | 48 | 1.13 | 29 |
| | 3 | 3 | 8.25 | 210 | 2.00 | 51 | 2.25 | 57 |
| | 4 | 1 | 8.25 | 210 | 3.00 | 76 | 1.25 | 32 |
| | 4 | 2 | 8.25 | 210 | 3.00 | 76 | 1.13 | 29 |
| | 3 | 4 | 10.38 | 264 | 2.00 | 51 | 3.25 | 83 |
| | 4 | 3 | 10.38 | 264 | 3.25 | 83 | 2.00 | 51 |
| | 4 | 4 | 10.38 | 264 | 3.25 | 83 | 3.25 | 83 |
| | 6 | 1 | 10.38 | 264 | 5.00 | 127 | 1.13 | 29 |
| | 6 | 2 | 10.38 | 264 | 5.25 | 133 | 1.13 | 29 |

NOTES:

- All dimensions are inches [millimeters] All dimensions 1/2 [13mm]. Metric values are soft conversion.
- All drawings subject to change without notice.
- Model "THHEA" unit shown. Side panel and drain pan hidden for clarity.
- Connection Size: See Page 12 Coil Connections.
- Standard externally foam coated galvanize steel drain pan has 7/8" ODM copper outlet. Stainless steel drain pan has 3/4" MPT galvanize steel outlet.
- Aux. drain outlet is 5/8" ODM copper or 3/8" MPT galvanized steel respectively.
- Single Row/Single Circuit headers are vertical (Horizontal Distance is 0")

THHE Series A

Horizontal High Performance Exposed – Field Connections – 4 Pipe 3/8" Dia. Tubing Re-Heat



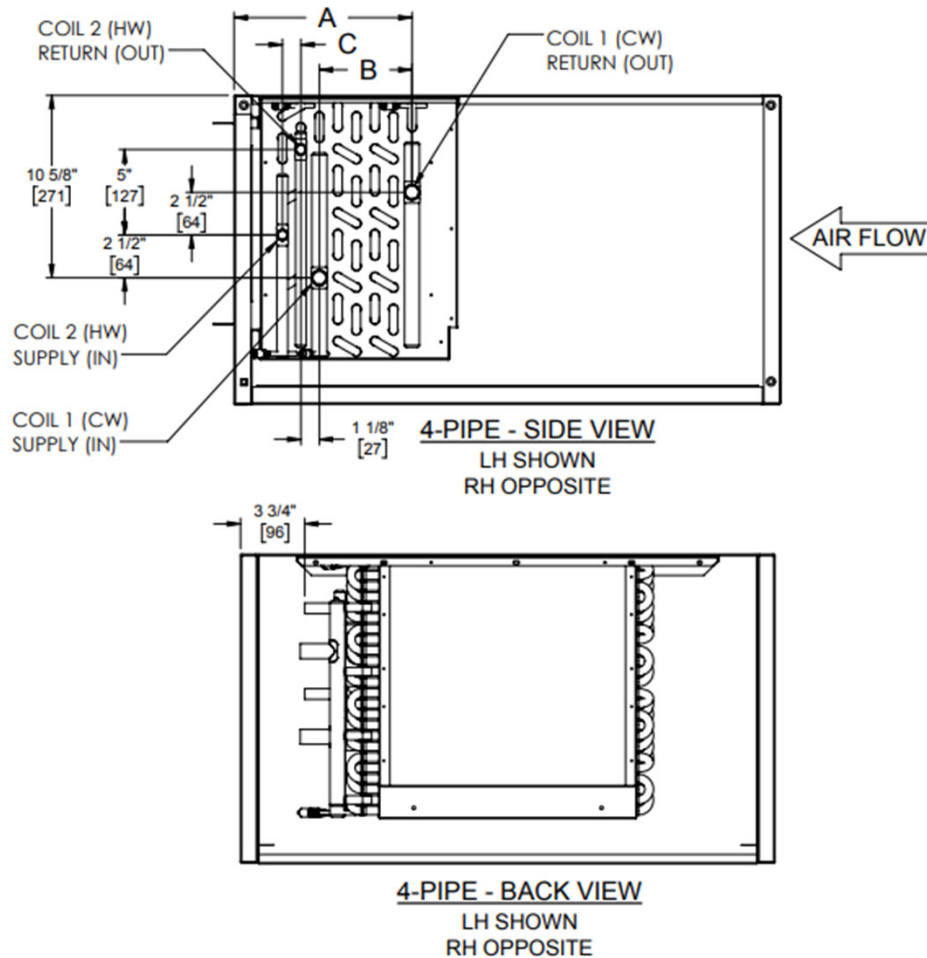
| Unit Type | Coil 1 CW Rows | Coil 2 HW Rows | (3/8" Dia Tubing) | | | | | |
|---------------|----------------|----------------|-------------------|------|------|------|------|----|
| | | | A | | B | | C | |
| | | | IN | MM | IN | MM | IN | MM |
| 4 Pipe ReHeat | 3 | 1 | 8.25 | 210 | 1.50 | 38 | 1.00 | 25 |
| | 3 | 2 | 8.25 | 210 | 1.38 | 35 | 1.00 | 25 |
| | 3 | 3 | 8.25 | 210 | 1.75 | 44 | 1.50 | 38 |
| | 4 | 1 | 8.25 | 210 | 1.75 | 44 | 1.00 | 25 |
| | 4 | 2 | 8.25 | 210 | 2.25 | 57 | 1.00 | 25 |
| | 3 | 4 | 10.38 | 264 | 1.50 | 38 | 2.63 | 67 |
| | 4 | 3 | 10.38 | 264 | 2.63 | 67 | 1.50 | 38 |
| | 4 | 4 | 10.38 | 264 | 2.63 | 67 | 2.25 | 57 |
| | 6 | 1 | 10.38 | 264 | 3.50 | 89 | 1.00 | 25 |
| 6 | 2 | 10.38 | 264 | 4.00 | 102 | 1.00 | 25 | |

NOTES:

- All dimensions are inches [millimeters] All dimensions 1/2 [13mm]. Metric values are soft conversion.
- All drawings subject to change without notice.
- Model "THHEA" unit shown. Side panel and drain pan hidden for clarity.
- Connection Size: See Page 12 Coil Connections.
- Standard externally foam coated galvanize steel drain pan has 7/8" ODM copper outlet. Stainless steel drain pan has 3/4" MPT galvanize steel outlet.
- Aux. drain outlet is 5/8" ODM copper or 3/8" MPT galvanized steel respectively.
- Single Row/Single Circuit headers are vertical (Horizontal Distance is 0")

THHE Series A

Horizontal High Performance Exposed – Field Connections – 4 Pipe 1/2" Dia. Tubing Pre-Heat



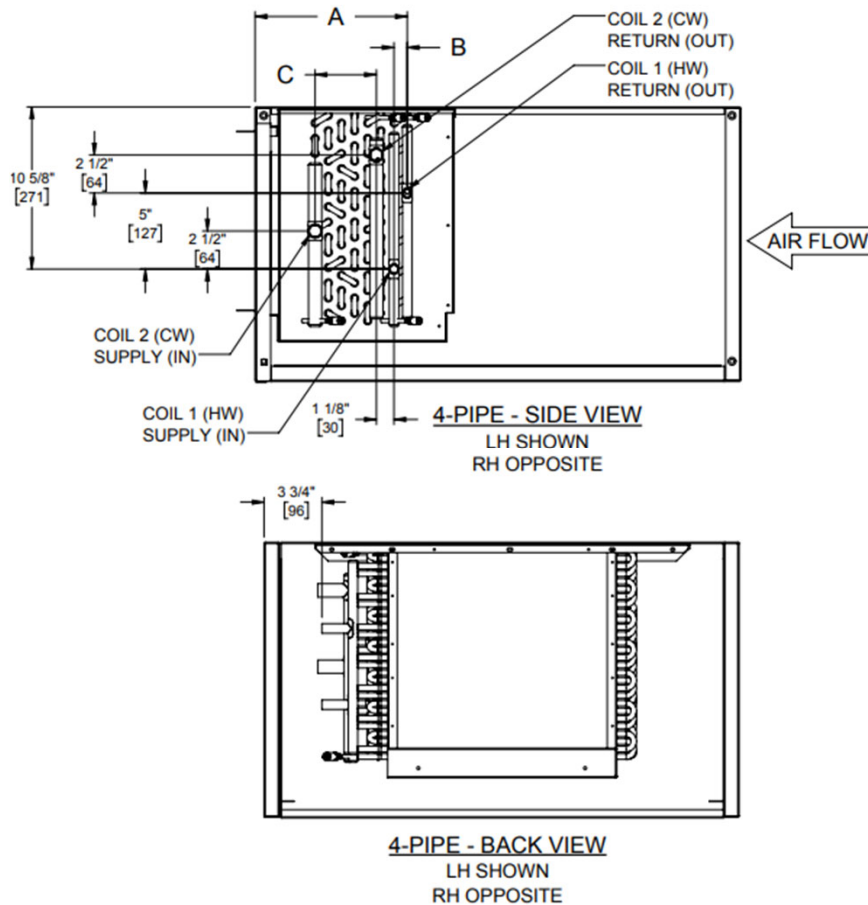
| Unit Type | Coil 1 HW Rows | Coil 2 CW Rows | (1/2" Dia Tubing) | | | | | |
|----------------|----------------|----------------|-------------------|-----|------|----|------|-----|
| | | | A | | B | | C | |
| | | | IN | MM | IN | MM | IN | MM |
| 4 Pipe PreHeat | 1 | 3 | 9.13 | 232 | 1.13 | 29 | 1.63 | 41 |
| | 1 | 4 | 9.13 | 232 | 1.13 | 29 | 2.50 | 64 |
| | 2 | 3 | 8.25 | 210 | 1.13 | 29 | 2.13 | 54 |
| | 2 | 4 | 8.25 | 210 | 1.13 | 29 | 3.13 | 79 |
| | 3 | 3 | 8.25 | 210 | 2.13 | 54 | 2.00 | 51 |
| | 1 | 6 | 11.13 | 283 | 1.13 | 29 | 4.75 | 121 |
| | 2 | 6 | 10.38 | 264 | 1.13 | 29 | 5.25 | 133 |
| | 3 | 4 | 10.38 | 264 | 2.13 | 54 | 3.13 | 79 |
| | 4 | 3 | 10.38 | 264 | 3.25 | 83 | 2.13 | 54 |
| | 4 | 4 | 10.38 | 264 | 3.25 | 83 | 3.13 | 79 |

NOTES:

- All dimensions are inches [millimeters] All dimensions 1/2 [13mm]. Metric values are soft conversion.
- All drawings subject to change without notice.
- Model "THHEA" unit shown. Side panel and drain pan hidden for clarity.
- Connection Size: See Page 12 Coil Connections.
- Standard externally foam coated galvanize steel drain pan has 7/8" ODM copper outlet. Stainless steel drain pan has 3/4" MPT galvanize steel outlet.
- Aux. drain outlet is 5/8" ODM copper or 3/8" MPT galvanized steel respectively.
- Single Row/Single Circuit headers are vertical (Horizontal Distance is 0")

THHE Series A

Horizontal High Performance Exposed – Field Connections – 4 Pipe 3/8" Dia. Tubing Pre-Heat



| Unit Type | Coil 1 HW Rows | Coil 2 CW Rows | (3/8" Dia Tubing) | | | | | |
|-------------------|----------------------|----------------------|-------------------|-----|------|----|------|----|
| | | | A | | B | | C | |
| | | | IN | MM | IN | MM | IN | MM |
| 4 Pipe PreHeat | 1 | 3 | 9.00 | 229 | 1.00 | 25 | 1.50 | 38 |
| | 1 | 4 | 9.00 | 229 | 1.00 | 25 | 1.75 | 44 |
| | 2 | 3 | 8.25 | 210 | 1.00 | 25 | 1.50 | 38 |
| | 2 | 4 | 8.25 | 210 | 1.00 | 25 | 2.00 | 51 |
| | 3 | 3 | 8.25 | 210 | 1.75 | 44 | 1.50 | 38 |
| | 1 | 6 | 10.75 | 273 | 1.00 | 25 | 3.50 | 89 |
| | 2 | 6 | 10.00 | 254 | 1.00 | 25 | 3.75 | 95 |
| | 3 | 4 | 10.00 | 254 | 1.75 | 44 | 2.25 | 57 |
| | 4 | 3 | 10.00 | 254 | 2.63 | 67 | 1.50 | 38 |
| | 4 | 4 | 10.00 | 254 | 2.63 | 67 | 2.25 | 57 |

NOTES:

- All dimensions are inches [millimeters] All dimensions 1/2 [13mm]. Metric values are soft conversion.
- All drawings subject to change without notice.
- Model "THHEA" unit shown. Side panel and drain pan hidden for clarity.
- Connection Size: See Page 12 Coil Connections.
- Standard externally foam coated galvanize steel drain pan has 7/8" ODM copper outlet. Stainless steel drain pan has 3/4" MPT galvanize steel outlet.
- Aux. drain outlet is 5/8" ODM copper or 3/8" MPT galvanized steel respectively.
- Single Row/Single Circuit headers are vertical (Horizontal Distance is 0")

THHP/THHC/THHE Series A

Horizontal High Performance Concealed, Concealed Plenum & Exposed Coil Connections

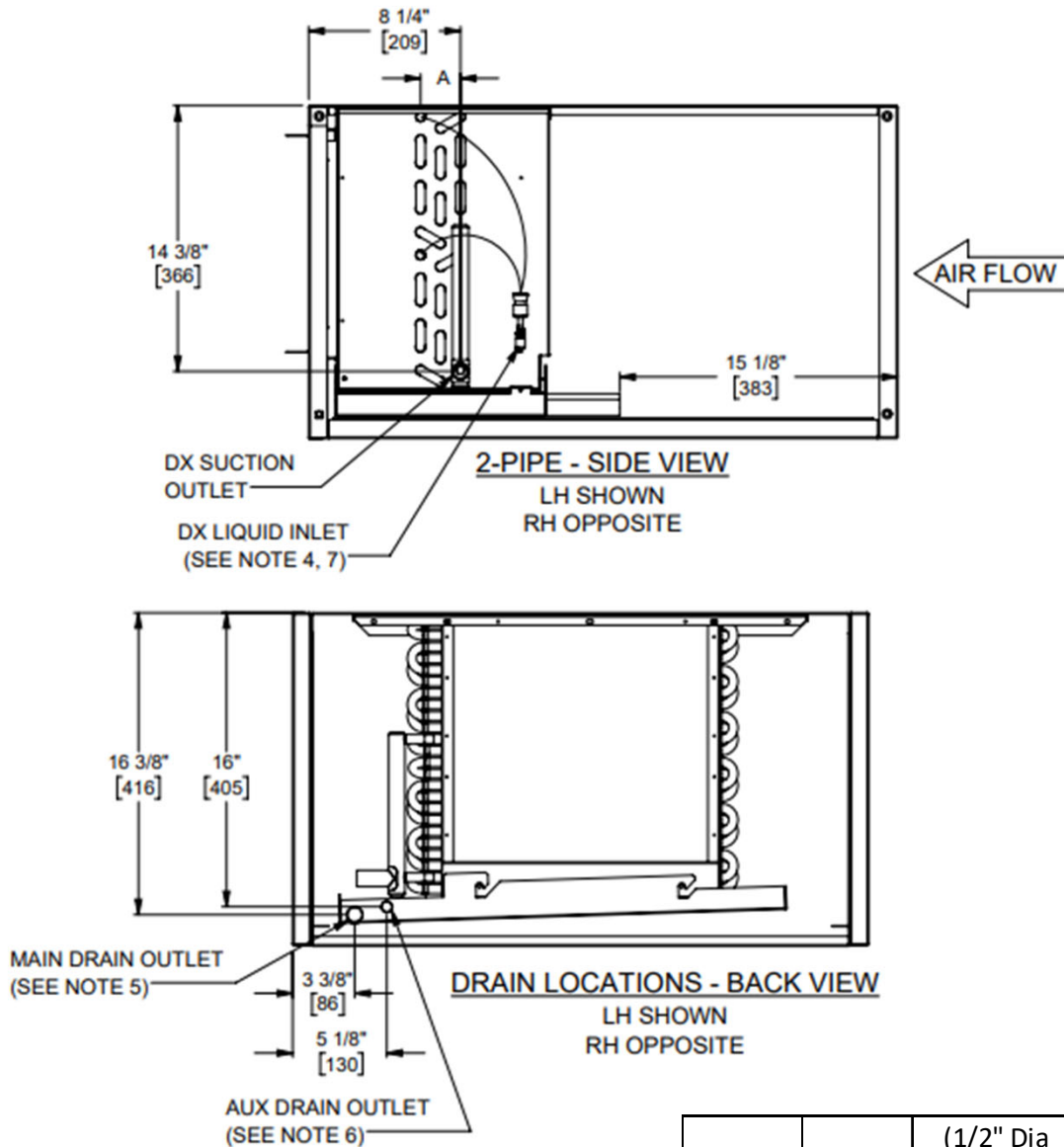
| WATER & DX COIL CONNECTION SIZES | | | | WATER & DX COIL CONNECTION SIZES | | | |
|----------------------------------|----------|--------|-----------------|----------------------------------|----------|--------|-----------------|
| UNIT SIZE | TYPE | # ROWS | CONN. SIZE (OD) | UNIT SIZE | TYPE | # ROWS | CONN. SIZE (OD) |
| 06 | HW | 1 | 5/8 | 14 | HW | 1 | 7/8 |
| 06 | HW | 2 | 5/8 | 14 | HW | 2 | 7/8 |
| 06 | HW | 3 | 7/8 | 14 | HW | 3 | 1 1/8 |
| 06 | HW | 4 | 7/8 | 14 | HW | 4 | 1 1/8 |
| 06 | CW OR DX | 3 | 7/8 | 14 | CW OR DX | 3 | 1 1/8 |
| 06 | CW OR DX | 4 | 7/8 | 14 | CW OR DX | 4 | 1 1/8 |
| 06 | CW OR DX | 6 | 7/8 | 14 | CW OR DX | 6 | 1 1/8 |
| 08 | HW | 1 | 5/8 | 16 | HW | 1 | 7/8 |
| 08 | HW | 2 | 5/8 | 16 | HW | 2 | 7/8 |
| 08 | HW | 3 | 7/8 | 16 | HW | 3 | 1 1/8 |
| 08 | HW | 4 | 7/8 | 16 | HW | 4 | 1 1/8 |
| 08 | CW OR DX | 3 | 7/8 | 16 | CW OR DX | 3 | 1 1/8 |
| 08 | CW OR DX | 4 | 7/8 | 16 | CW OR DX | 4 | 1 1/8 |
| 08 | CW OR DX | 6 | 7/8 | 16 | CW OR DX | 6 | 1 1/8 |
| 10 | HW | 1 | 5/8 | 18 | HW | 1 | 7/8 |
| 10 | HW | 2 | 5/8 | 18 | HW | 2 | 7/8 |
| 10 | HW | 3 | 7/8 | 18 | HW | 3 | 1 1/8 |
| 10 | HW | 4 | 7/8 | 18 | HW | 4 | 1 1/8 |
| 10 | CW OR DX | 3 | 7/8 | 18 | CW OR DX | 3 | 1 1/8 |
| 10 | CW OR DX | 4 | 7/8 | 18 | CW OR DX | 4 | 1 1/8 |
| 10 | CW OR DX | 6 | 7/8 | 18 | CW OR DX | 6 | 1 1/8 |
| 12 | HW | 1 | 5/8 | 20 | HW | 1 | 7/8 |
| 12 | HW | 2 | 5/8 | 20 | HW | 2 | 7/8 |
| 12 | HW | 3 | 7/8 | 20 | HW | 3 | 1 1/8 |
| 12 | HW | 4 | 7/8 | 20 | HW | 4 | 1 1/8 |
| 12 | CW OR DX | 3 | 7/8 | 20 | CW OR DX | 3 | 1 1/8 |
| 12 | CW OR DX | 4 | 7/8 | 20 | CW OR DX | 4 | 1 1/8 |
| 12 | CW OR DX | 6 | 7/8 | 20 | CW OR DX | 6 | 1 1/8 |

NOTES:

1. Tables apply to 1/2" and 3/8" tube diameters.
2. Number of circuits does not affect coil connection sizes.

THHE Series A

Horizontal High Performance Exposed – Field Connections – 2 Pipe DX Coil



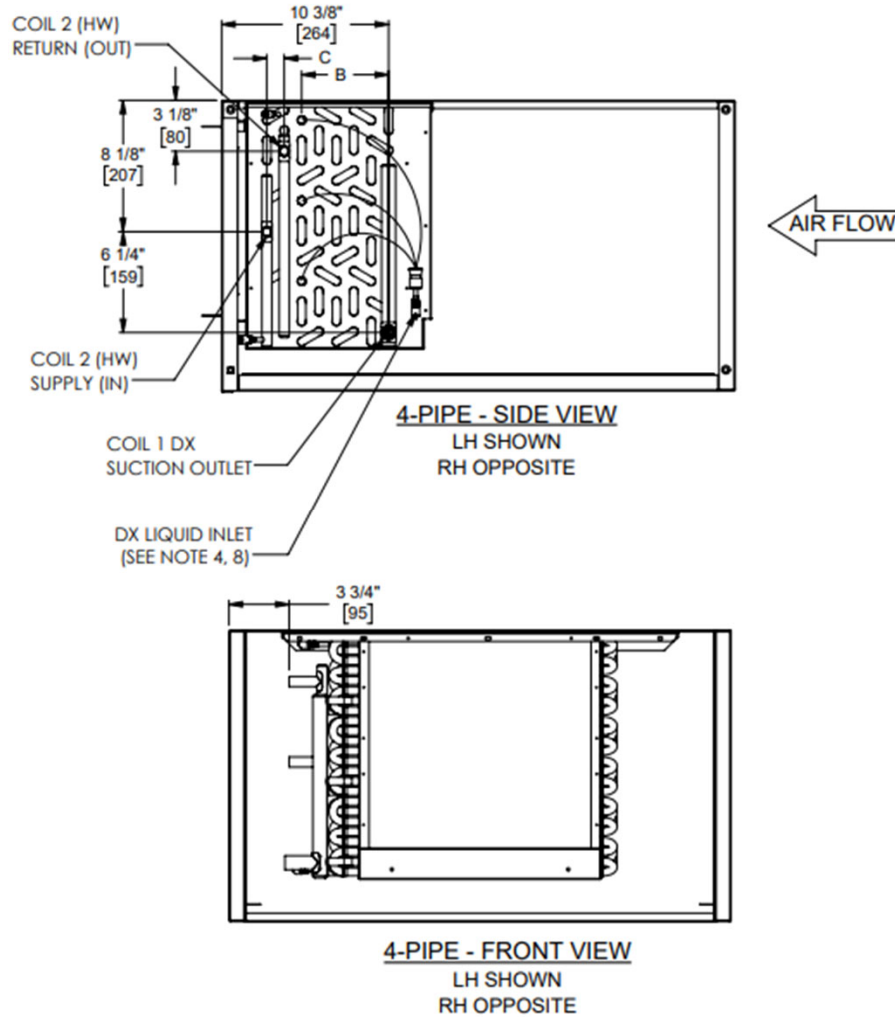
| Unit Type | DX Coil Rows | (1/2" Dia Tubing) | |
|----------------|--------------|-------------------|-----|
| | | A | |
| | | IN | MM |
| 2 Pipe Cooling | 3 | 2.13 | 55 |
| | 4 | 3.25 | 82 |
| | 6 | 5.38 | 137 |

NOTES:

- All dimensions are inches [millimeters] All dimensions 1/2 [13mm]. Metric values are soft conversion.
- All drawings subject to change without notice.
- Model "THHEA" unit shown. Side panel hidden for clarity.
- Connection Size: See Page 12 Coil Connections.. Stainless steel drain pan has 3/4" MPT galvanized steel outlet.
- Standard externally foam coated galvanized steel drain pan has 7/8" ODM copper outlet. Stainless steel drain pan has 3/4" MPT galvanized steel outlet.
- Aux. drain outlet is 5/8" ODM copper or 3/8" MPT galvanized steel respectively.
- Liquid Inlet arrangement may vary

THHE Series A

Horizontal High Performance Exposed – Field Connections – 4 Pipe DX 1/2" Dia. Tubing Re-Heat



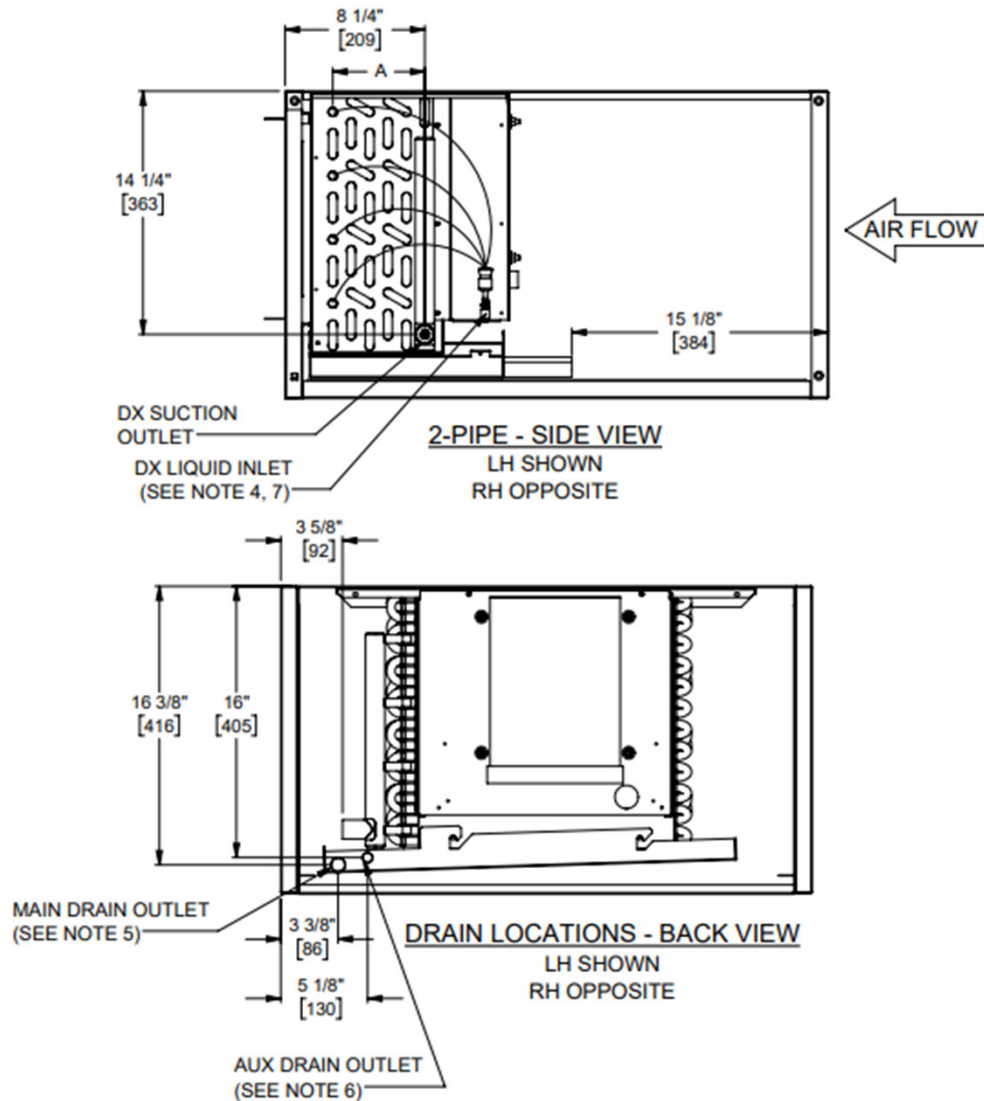
| Unit Type | Coil 1 DX Rows | Coil 2 HW Rows | (1/2" Dia Tubing) | | | | | |
|---------------|----------------|----------------|-------------------|-----|------|-----|------|----|
| | | | A | | B | | C | |
| | | | IN | MM | IN | MM | IN | MM |
| 4 Pipe ReHeat | 3 | 1 | 6.75 | 171 | 2.13 | 52 | 0.88 | 22 |
| | 3 | 2 | 6.75 | 171 | 2.13 | 52 | 1.13 | 29 |
| | 3 | 3 | 6.75 | 171 | 2.13 | 52 | 2.13 | 54 |
| | 4 | 1 | 6.75 | 171 | 3.25 | 83 | 1.00 | 25 |
| | 4 | 2 | 6.75 | 171 | 3.25 | 83 | 1.00 | 25 |
| | 3 | 4 | 8.88 | 225 | 2.13 | 52 | 3.25 | 83 |
| | 4 | 3 | 8.88 | 225 | 3.25 | 83 | 2.25 | 54 |
| | 4 | 4 | 8.88 | 225 | 3.25 | 83 | 3.25 | 83 |
| | 6 | 1 | 8.88 | 225 | 5.50 | 140 | 0.88 | 22 |
| | 6 | 2 | 8.88 | 225 | 5.50 | 140 | 1.13 | 27 |

NOTES:

- All dimensions are inches [millimeters] All dimensions 1/2 [13mm]. Metric values are soft conversion.
- All drawings subject to change without notice.
- Model "THHEA" unit shown. Side panel hidden for clarity.
- Connection Size: See Page 12 Coil Connections.. Stainless steel drain pan has 3/4" MPT galvanize steel outlet.
- Standard externally foam coated galvanize steel drain pan has 7/8" ODM copper outlet. Stainless steel drain pan has 3/4" MPT galvanize steel outlet.
- Aux. drain outlet is 5/8" ODM copper or 3/8" MPT galvanized steel respectively.
- Liquid Inlet arrangement may vary

THHE Series A

Horizontal High Performance Exposed – Field Connections – 2 Pipe DX Coil & Electric Pre-Heat



| Unit Type | DX Coil Rows | (1/2" Dia Tubing) | |
|----------------|--------------|-------------------|-----|
| | | A | |
| | | IN | MM |
| 2 Pipe Cooling | 3 | 2.13 | 55 |
| | 4 | 3.25 | 82 |
| | 6 | 5.38 | 137 |

NOTES:

- All dimensions are inches [millimeters] All dimensions 1/2 [13mm]. Metric values are soft conversion.
- All drawings subject to change without notice.
- Model "THHEA" unit shown. Side panel hidden for clarity.
- Connection Size: See Page 12 Coil Connections.. Stainless steel drain pan has 3/4" MPT galvanize steel outlet.
- Standard externally foam coated galvanize steel drain pan has 7/8" ODM copper outlet. Stainless steel drain pan has 3/4" MPT galvanize steel outlet.
- Aux. drain outlet is 5/8" ODM copper or 3/8" MPT galvanized steel respectively.
- Liquid Inlet arrangement may vary